



Ultra Thin Variable Resistors

VT09 Type

■ Features

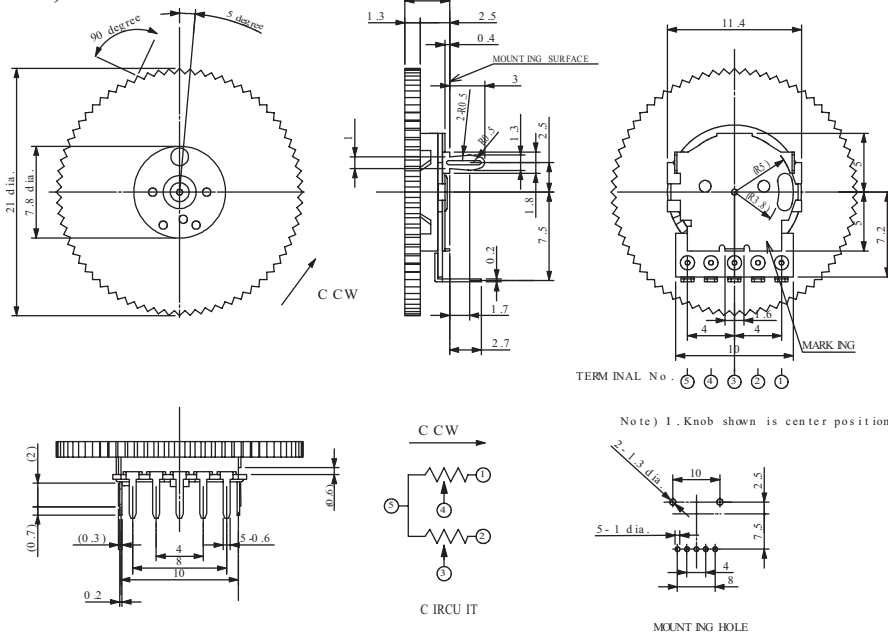
- Best match for thin designing
- Knob, design are flexible for customer request
- Double track construction available



VT09DH7 21T

■ Dimensions (Unit: mm)

VT09DH7 21T1



■ Specification (VT09DH7 21T1)

Item	Specification	Unit	Note
Resistance Range	1 k ~ 200 k (B Curve) 5 k ~ 100 k (A,C Curve)	Ω	Standard Values 1, 2, 3, 5 series
Resistance Tolerance	± 20	%	
Taper	A,B,C Curve		With JIS C-5260
Residual Resistance	100 Max.	Ω	C Type (Single Track)
Insertion Loss	0.1 Max.	dB	D Type (Double Track)
Max. Attenuation Level	70 Min.	dB	
Tracking Error	4 Max.	dB	
Noise (Contact Resistance Variation)	3 Max. (B Curve) 6 Max. (A,C Curve)	%	Method JIS B
Power Rating	0.1 (at 50°C)	W	C Type (Single Track)
	0.05 (at 50°C)	W	D Type (Double Track)
Max. Working Voltage	AC 10, DC 10	V	
Temp. Range	-25 ~ +70	°C	
Insulation Resistance	100 Min. (DC 100 V, 1 Min.)	M Ω	
Dielectric Strength	AC 100 V, 1 Min.		
Rotation Angle	270 \pm 5	°	
Operation Torque	0.98 ~ 9.8	m N·m	
Stop Strength	98 Min.	m N·m	

■ Type Designation

VT09 D H7 21T1 C103

Resistance curve and Total Resistance (C103: C-curve 10k Ω)
 Knob size and type 21:diameter, T:Serration ϕ 14,16,18,20 also available.
 Mounting Terminal
 Track Type D: Double Track, C: Single Track H1~H9 also available. However, some combinations with knob shape may not be available.
 Type, Series

*"Type" indicates the product No., which is not the trademark.