

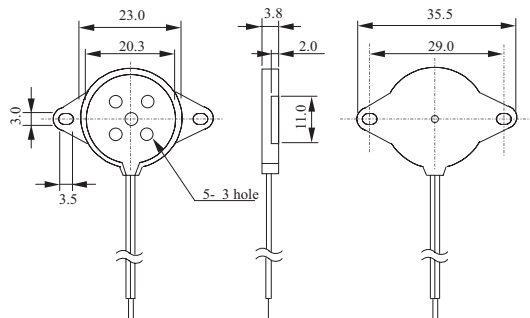


■ Features

- Small and light weight
- High sound pressure level
- Low power consumption

■ Construction

Model No. HAT-PW-23*-**



■ Specifications

Item	HAT-PW-23A-01	HAT-PW-23B-01	HAT-PW-23C-01	Unit
Output Sound Pressure Level (1Vrms, 1kHz)	110±3	109±3	106±3	dB
Static Capacitance (±30%, 120Hz)	100	100	100	nF
Max. Input Voltage	5	5	5	Vrms
Weight	1.5	1.5	1.5	g
Note	Flatness stressing type	Bass stressing type	Bass stressing type	

■ Model Designation

