



# Chip Type Cermet Trimmer Potentiometer

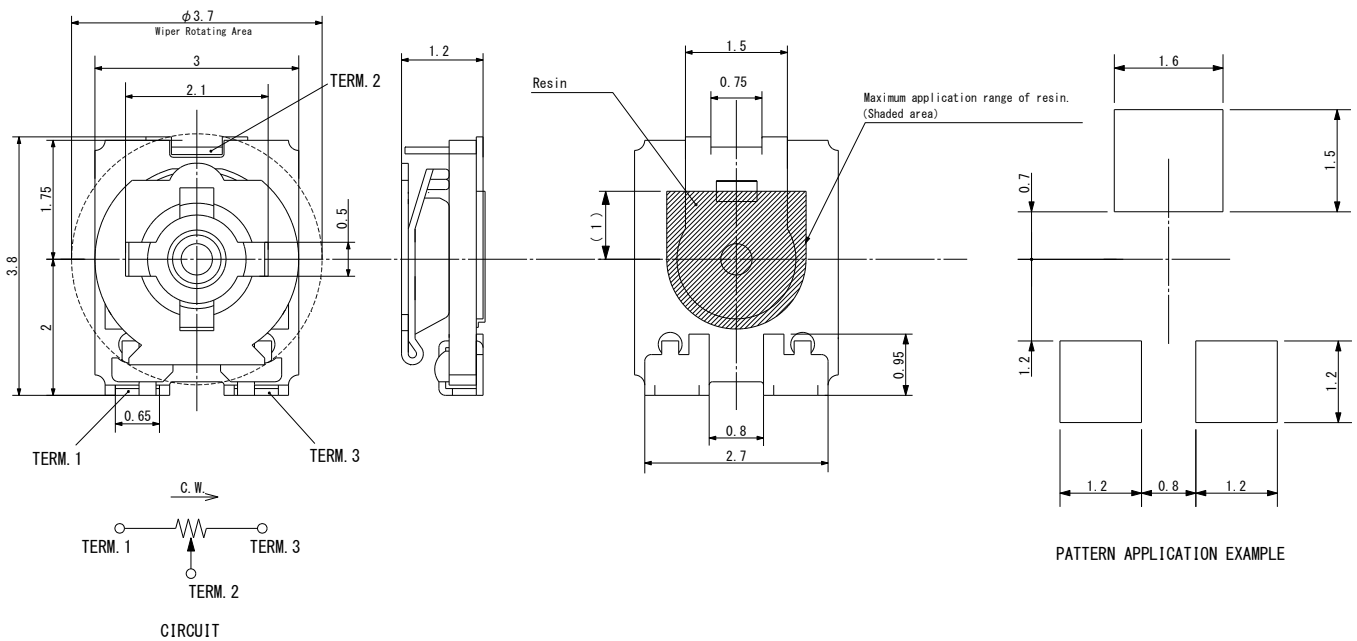
3mm size, Low profile type

## ■ Features

- Low profile type ( 1.2mm in height )
- With rotation stopper
- Achieved good endurance characteristics by using “Metal-glaze” for the material of resistor
- Conforms to RoHS Directives (Lead-Free Products)
- Reflow solderable



## ■ Outline Dimensions (Unit : mm)

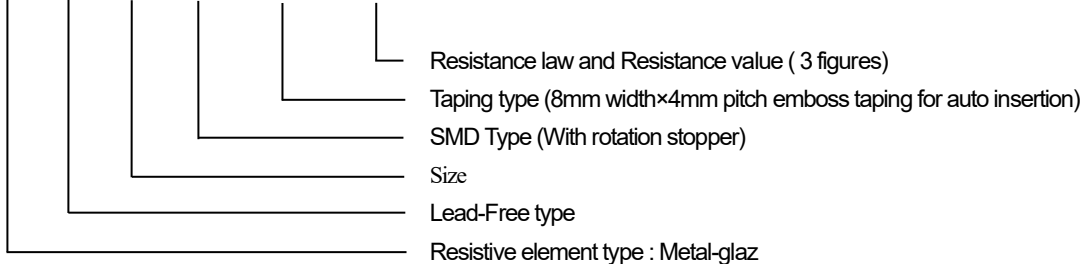


## ■ Specification

Item	Specification	Unit	Note
Nominal Total Resistance	100~1M	$\Omega$	
Resistance Tolerance	$\pm 25$	%	
Rotational Torque	0.98~11.76	mN.m	
Effectively Rotary Angle	$270 \pm 20$	$^{\circ}$	With rotation stopper
Rated Wattage	0.15 (at 70°C)	W	
Max. Rated Voltage	50 or $V = \sqrt{FR}$ whichever is smaller	V	
T.C.R (Temperature Coefficient)	$\pm 250$	ppm/ $^{\circ}C$	
Operating Temp. Range	-40 ~ +100	$^{\circ}C$	

## ■ Part Designation

VG F 39N CH XT B\*\*\*



\* Packaging Quantity : 2500 pcs / Ree