



Chip Type Cermet Trimmer Potentiometer

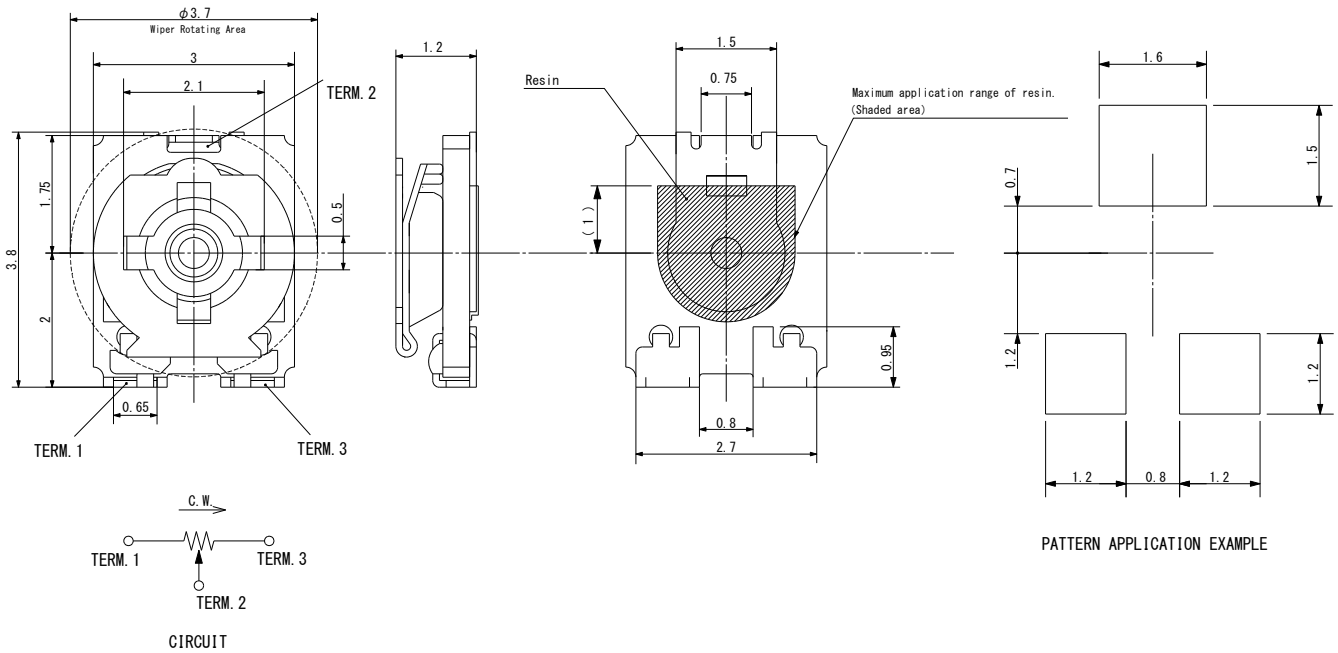
3mm size, Low profile type

■ Features

- Low profile type (1.2mm in height)
- Achieved good endurance characteristics by using “Metal-glaze” for the material of resistor
- Conforms to RoHS Directives (Lead-Free Products)
- Reflow solderable



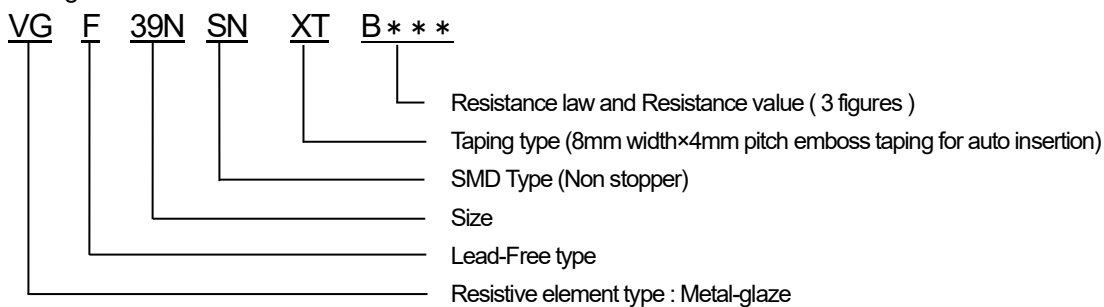
■ Outline Dimensions (Unit : mm)



■ Specification

Item	Specification	Unit	Note
Nominal Total Resistance	100~1M	Ω	
Resistance Tolerance	± 25	%	
Rotational Torque	0.98~11.76	mN.m	
Effectively Rotary Angle	270 \pm 20	$^{\circ}$	Non stopper
Rated Wattage	0.15	W	
Max. Rated Voltage	50 or $V = \sqrt{PR}$ whichever is smaller	V	
T.C.R (Temperature Coefficient)	± 250	ppm/ $^{\circ}$ C	
Operating Temp. Range	-40 ~ +100	$^{\circ}$ C	

■ Part Designation



* Packaging Quantity : 2500 pcs / Reel