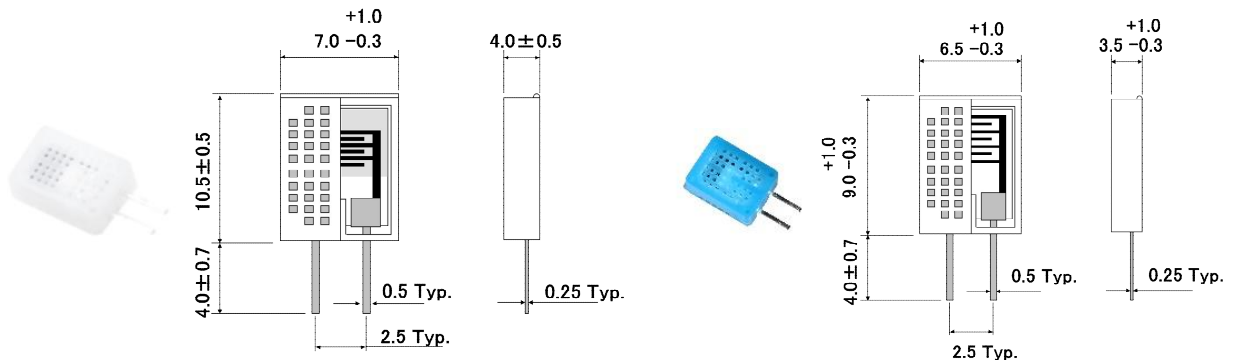


**【Humidity Sensor Element】**  
Model No. HIS-06K-N

Model No. HIS-08

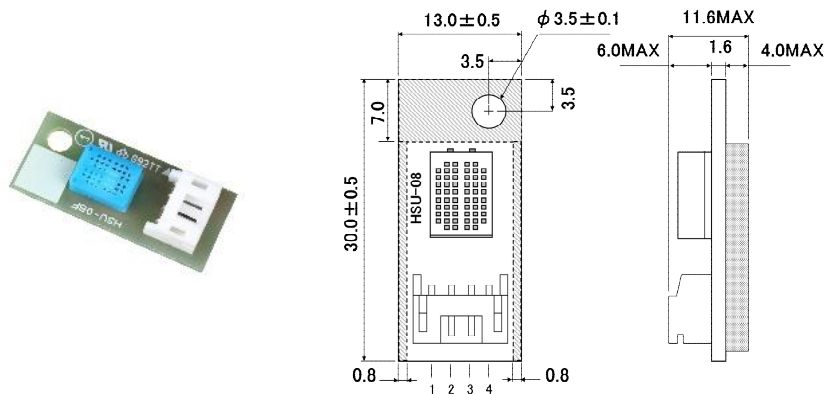


Unit:mm

■ Specifications

Item		Model	HIS-06K-N	HIS-08
Absolute Maximum Rated	Rated Voltage		AC 5.5V Max.	
	Rated Power		1.0mW	
	Storage Temperature		-25~70°C	
Operating Range	Operating Temperature		-20~60°C	
	Operating Humidity		20 to 90%RH	
Electrical Characteristics	Humidity Detection Output		45.8k Ω (at 25°C/50%RH)	57.0k Ω (at 25°C/50%RH)
	Humidity Detection Accuracy		±5%RH (at 25°C/50%RH)	
	Hysteresis		±1%RH (at 30 to 90%RH)	
	Humidity Response Characteristics		3.5 min (at 30⇔90%RH, 90% humidity reached, wind pressure 1.2 cm/sec)	

**【Humidity Sensor Module】**  
Model No. HSU-08 Series



Unit:mm

■ Specifications

Item		Model	HSU-08F9C1A-D	HSU-08F9B2A
Absolute Maximum Rated Specifications Range	Rated Voltage		DC 5.0V (4.75 to 5.25V)	DC 3.3V (3.135 to 3.465V)
	Storage Temperature/Humidity		10 to 90%RH / -25 to 70d°C	
	Operating Temperature		-20~60°C	
Electrical Characteristics	Recommended Detection Humidity Range		10 to 90%RH	
	Humidity Detection Output		1.386V (at 25°C/60%RH)	1.550V (at 25°C/60%RH)
	Humidity Detection Accuracy		±5%RH (at 25°C/40%RH・60%RH)	
	Current consumption		2.0mA Typ.	
	Hysteresis		±1%RH (at 30 to 90%RH)	
	Thermistor Characteristics		R25=10k Ω ±3% B25/50=3900K ±3%	
	Humidity Response Characteristics		3.5 min (at 30⇔90%RH, 90% humidity reached, wind pressure 1.2 cm/sec)	