

■ Features

- Operating feel: Clear click sensation utilizing tactile feedback characteristics
- Prevents flux migration by insert molding the terminals
- Shape includes a ground terminal
- Snap-in terminal shape

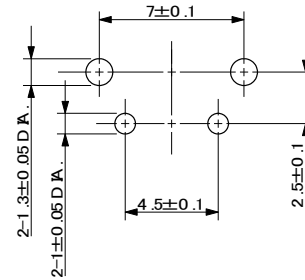
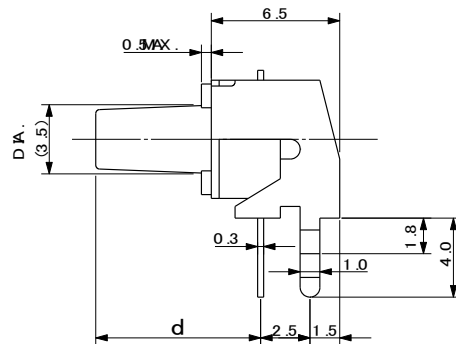
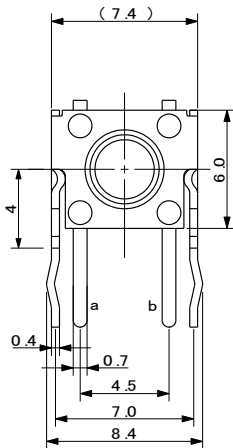


■ External Dimensions

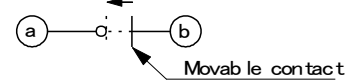
Unit: mm

■ Recommended PCB Mounting Hole

Dimensions Unit: mm



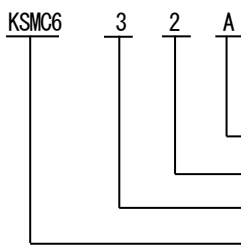
■ Circuit Diagram



■ Specifications

Item	Rating	Unit	Remarks
Operating temperature range	-20~+70	°C	
Storage temperature range	-40~+85	°C	
Operation format	Tactile Feedback		
Circuit type	Push-on type, 1 circuit, 1 contact		
Rating	MAX 50mA 24VDC		
contact resistance	MAX 100	mΩ	
Insulation resistance	100MΩ or more at DC 100V		
Withstand voltage	1 minute at AC 250V		
Bounce	MAX 5	ms	
Actuation force	0.98±0.49	N	Type A
	1.57±0.49	N	Type B
Restoring force	MIN 0.10		Type A
	MIN 0.49		Type B
Amount of movement	0.25+0.2/-0.1	mm	

■ Part Number Structure



Actuating force A, B
Mounting Length
Mounting Method
Model

	d
1	3.15
2	3.85
3	5.85
4	8.35