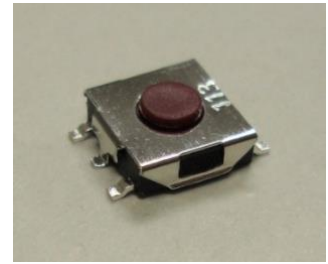




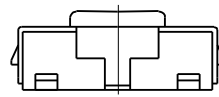
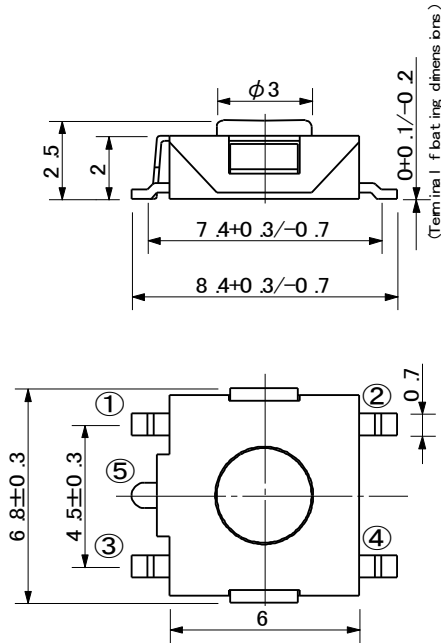
Tactile Switch 6mm × 6mm Flat Surface Mount Type

■Features

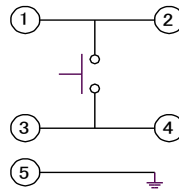
- Clear click feel utilizing tactile feedback characteristics
- Grounded model
- Reflow solder compatible
- Packaging type: Embossed tape
- RoHS Directive compliant



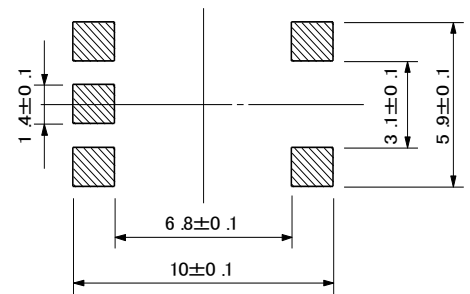
■Dimensions Unit: mm



Circuit



Recommended Land



■Specifications

Item	Rated	Unit
Operating Temperature Range	-25 to +70	° C
Storage Temperature Range	-40 to +85	° C
Operation Mode	Tactile Feedback	
Circuit Type	Push-on type, 1 circuit, 1 contact	
Rated	MAX 50mA 5VDC	
Contact Resistance	MAX 100	mΩ
Insulation Resistance	100MΩ or more at DC 100V	
Withstand voltage	AC 250V for 1 minute	
Bounce	MAX 10	ms
Actuating force	Type A: 0.98 ± 0.49	N
	Type B: 1.57 ± 0.49	
	C Type: 2.55 ± 0.69	
Return Force	MIN 0.4	N
Amount of movement	0.25 +0.2/-0.1	mm
Operating life	100,000	cycles

■Product Name Designation Method

