



Tactile Switch 7.2mm × 7.2mm Waterproof Surface Mount Type

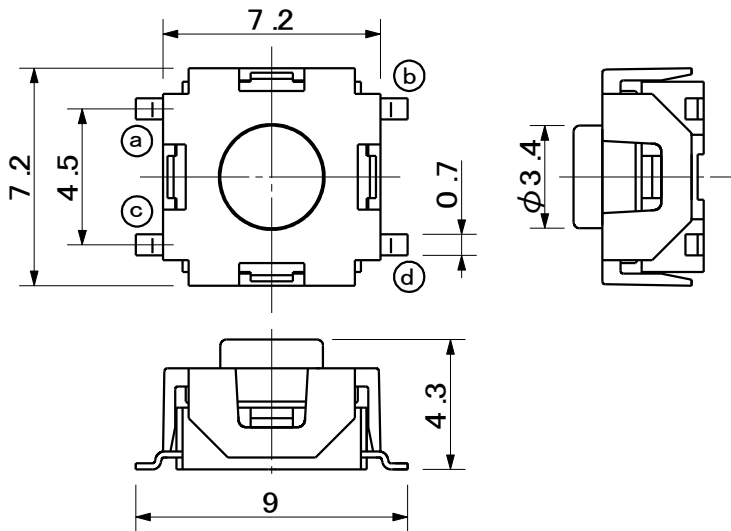
■Features

- Dustproof and waterproof construction
- Low profile with a height of 4.3mm
- Switch supply via embossed tapping method

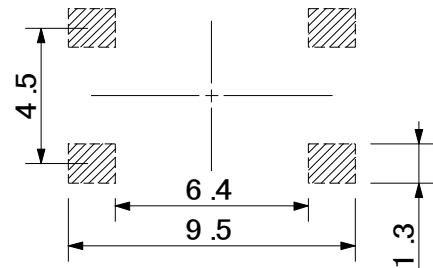
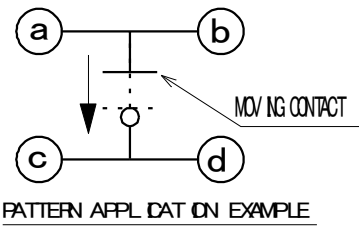
■Applications

- Switches for dishwasher and washing machine control panels

■Dimensions



CIRCUIT DIAGRAM



■Specifications

Item	Rated	Unit	Remarks
Operating Temperature Range	-25 to +85	° C	
Storage Temperature Range	-40 to +85	° C	
Operation Mode	Tactile feedback		
Circuit Type	Push-on type, 1 circuit, 1 contact		
Rated	MAX 50mA 12VDC		
Contact Resistance	MAX 100	mΩ	
Insulation Resistance	100MΩ or more at DC 100V		
Withstand voltage	AC 250V for 1 minute		
Bounce	MAX 10	ms	
Operating life	100,000	times	
Actuating force	1.08 ±0.49	N	
Return force	MIN 0.1	N	
Travel	0.25 +0.2/-0.1	mm	
Water resistance	Immersion in water at 60±2° C (10cm) for 240 hours		

■Product Name Designation Method

