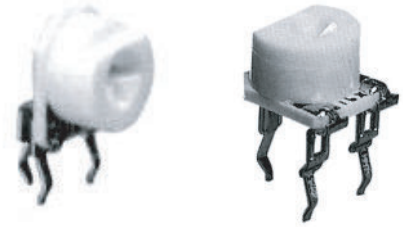




Miniature Cermet Trimmer Potentiometers

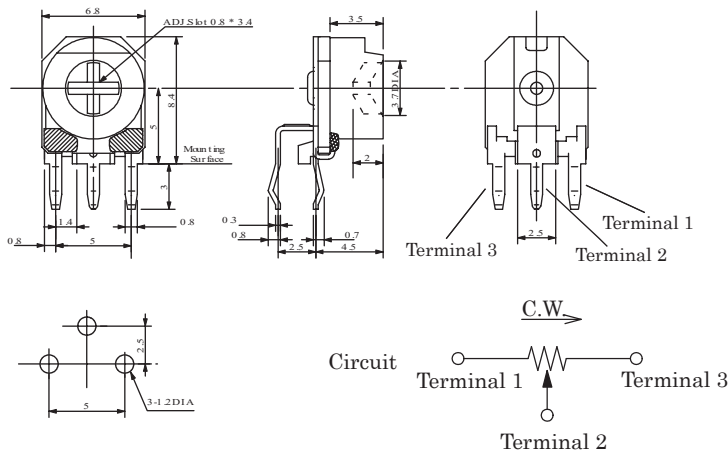
■ Features

- A djustment screw, either \oplus \ominus is available
- Automatic adjustable
- Endurance to environmental test

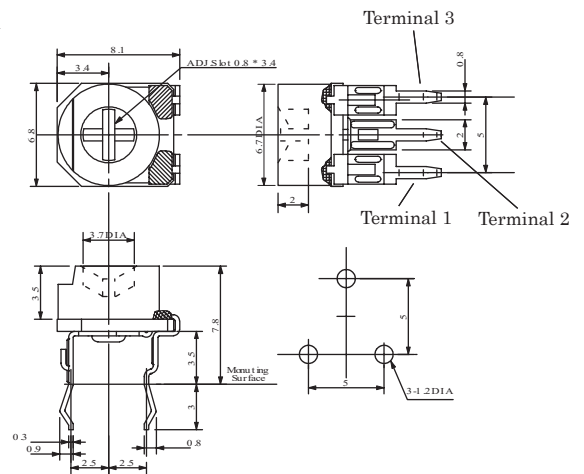


■ Dimensions (Unit: mm)

TH1



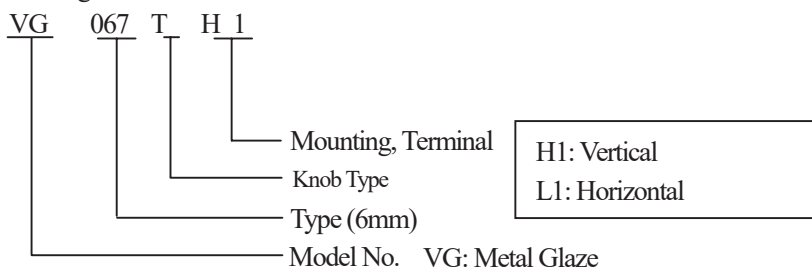
TL1



■ Specification

Item	Specification	Unit	Note
Resistance Range	100 ~ 1 M(1,2,3,5 Series)	Ω	
Resistance Tolerance	± 25	%	
Residual Resistance	Within 1% of total Resistance Value 1 k Ω : 10 Ω Max. 100 k Ω < 5% Max.	%	
Power Rating	0.2 (at 70°C) 0 (at 100°C)	W	
Max. Working Voltage	100V or \sqrt{PR} = V whichever is smaller	V	
Temp. Range	-25 ~ +100	$^{\circ}\text{C}$	
Temp. Coefficient	± 250	ppm/ $^{\circ}\text{C}$	VG Type
Noise(Contact Resistance Variation)	Within 4% of total Resistance Value	%	
Rotation Angle	240 ± 10	$^{\circ}$	
Operation Torque	2.94 ~ 29.4	m N \cdot m	
Stop Strength	49.0 Min.	m N \cdot m	

■ Model Designation

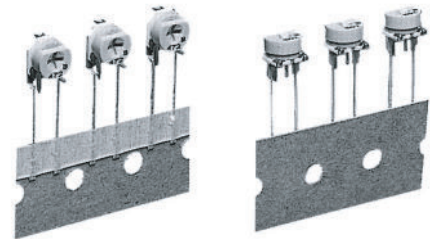




Miniature Cermet Trimmer Potentiometers

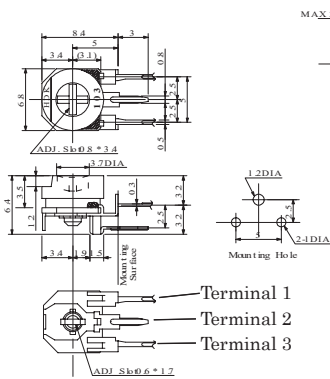
■ Features

- A djustment screw, either \ominus or Θ is available
- Rear side adjustable
- Auto insertion with radial tapping
- Endurcnce to environmental test

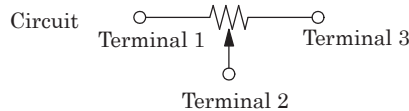
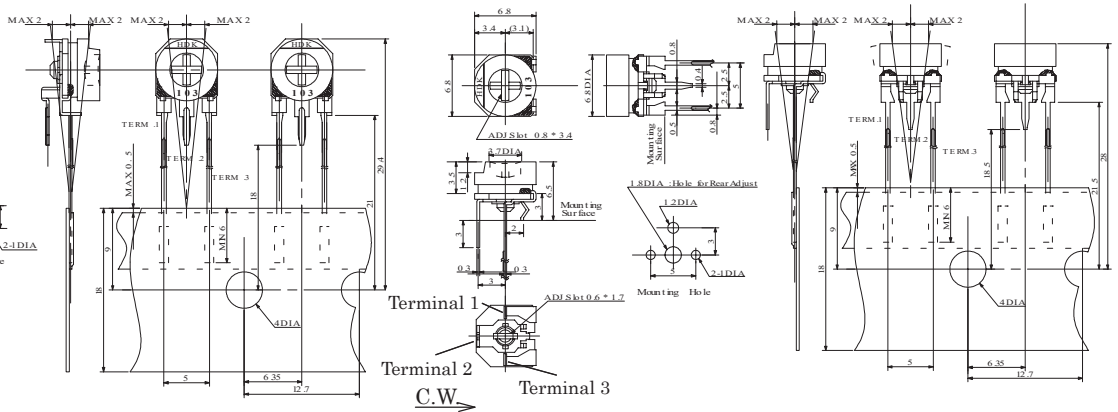


■ Dimensions (Unit:mm)

THT



TLTA



■ Specification

Item	Specification	Unit	Note
Resistance Range	100 ~ 1 M(1,2,3,5 Series)	Ω	
Resistance Tolerance	± 30	%	
Residual Resistance	Within 2% of total Resistance Value 1 k Ω 20 Ω Max. 100 k Ω < 5% Max.	%	
Power Rating	0.3 (at 70 $^{\circ}$ C) 0 (at 100 $^{\circ}$ C)	W	
Max. Working Voltage	100V or \sqrt{PR} = V whichever is smaller	V	
Temp. Range	-25 ~ +100	$^{\circ}$ C	
Temp. Coefficient	± 250	ppm/ $^{\circ}$ C	VG Type
Noise(Contact Resistance Variation)	Within 4% of total Resistance Value	%	
Rotation Angle	240 ± 10	$^{\circ}$	
Operation Torque	0.98 ~ 29.4	m N \cdot m	
Stop Strength	49.0 Min.	m N \cdot m	

■ Model Designation

