

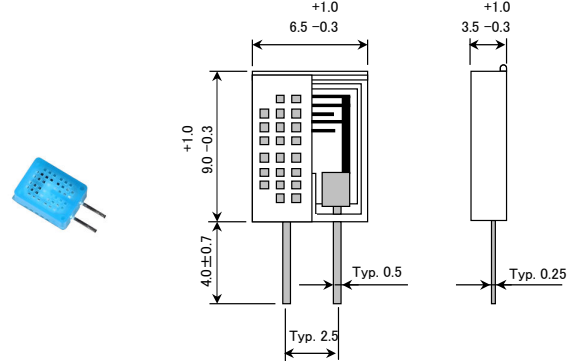
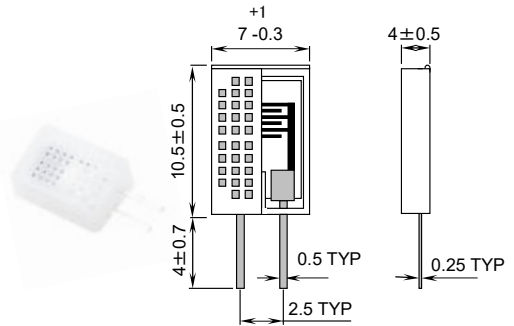


Resistive Type humidity Sensor

【Humidity Sensor】

Model No. HIS-06K-N

Model No. HIS-08



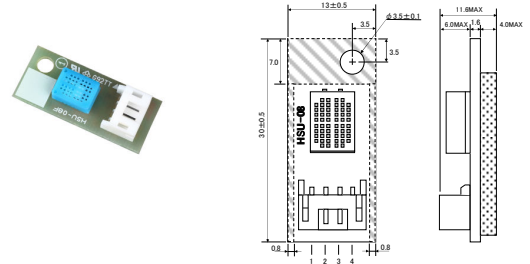
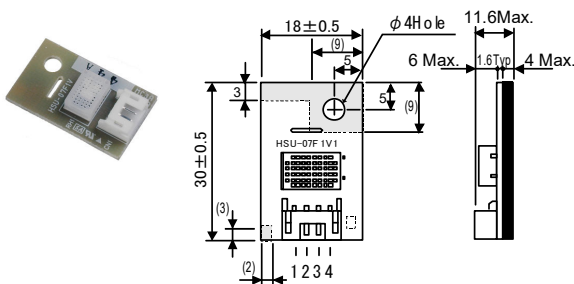
Unit : mm

Item		HIS-06K-N	HIS-08
Absolute Maximum Ratings	Rated Voltage	AC 5.5V Max.	
	Rated Wattage	1.0mW	
	Storage Temperature Range	-25°C~70°C	
Operating Range	Operating Temperature Range	-20°C~60°C	
	Operating Humidity Range	0%RH~90%RH	
Electrical Characteristics	Output	45.8kΩ (at : 25°C/50%RH)	57.0kΩ (at : 25°C/50%RH)
	Output Accuracy	±5%RH (at : 25°C/50%RH)	
	Hysteresis	±1%RH (at : 30~90%RH)	
	Response	3.5minutes (at : 30%RH⇔90%RH, 9%Reach, 1.2cm/sec)	

【Humidity Sensor Module】

Model No. HSU-07 Series

Model No. HSU-08 Series



Item		HSU-07A1	HSU-08F9C1	HSU-08F9B2
Absolute Maximum Ratings	Rated Voltage	DC 5.0V(4.75~5.25V)		
	Storage Humidity, Temperature Range	0%RH~90%RH / -25°C~70°C		
Operating Range	Operating Temperature Range	-20°C~60°C		
	Operating Humidity Range	20%RH~90%RH	10%RH~90%RH	
Electrical Characteristics	Output	2.220V (at : 25°C/60%RH)	1.386V (at : 25°C/60%RH)	1.550V (at : 25°C/60%RH)
	Output Accuracy	±5%RH (at : 25°C/40%RH~60%RH)		
	Current Consumption	2.0mA Typ.		
	Hysteresis	±1%RH (at : 30%RH~90%RH)		
	Thermistor Characteristics	R25=47kΩ±5% B25/50=4050±1%	R25=10kΩ±3% B25/50=3900±3%	
	Response	3.5minutes (at : 30%RH⇔90%RH, 90% Reach, 1.2cm/sec)		