



Model No. HPM-\*\*-\*\*\*

This pressure sensor, fabricated with advanced semiconductor micromachining technology, is highly sensitive and highly precise and meets a variety of customer needs. Custom product is also flexibly available to fit the needs.

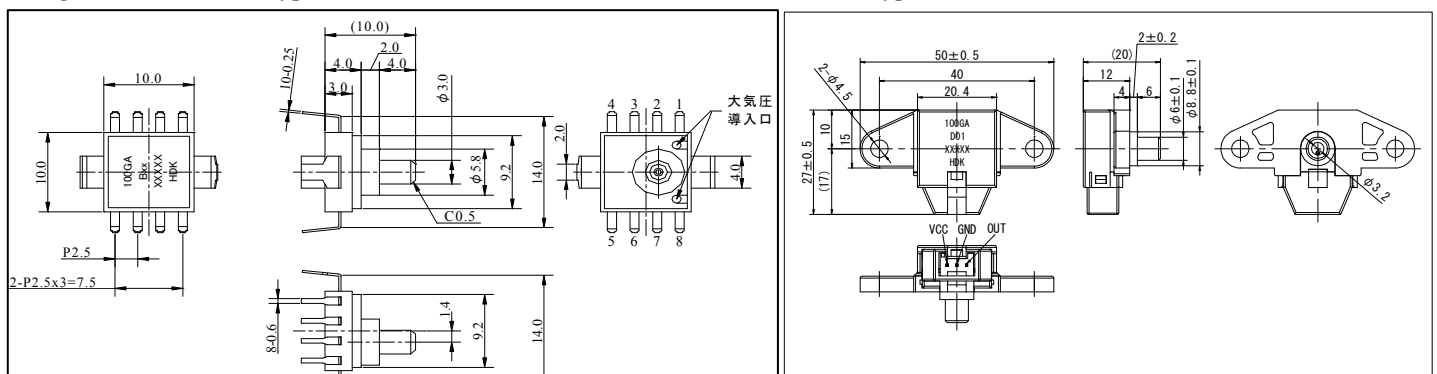
### ■ Features

- Analog output, Digital output (frequency output) available
- Perform various digital compensation by built-in EEPROM, High precision • High stability
- Low current consumption: 1mA Max.
- Flange-mount connector type, Discrete type

### ■ Outline Dimension

Flange-mount connector type: HPM-\*\*\*-B\*\*

Discrete type: HPM-\*\*\*-D\*\*



### ■ Basic Specification

#### 1. Absolute Maximum Rating

Item	Rating		Unit	Remark
	Min.	Max.		
Storage Temperature Range	-40	85	°C	
Operating Temperature Range	-10	60	°C	
Operating Humidity Range	0	95	%RH	
Operating Voltage Range	-0.3	6.5	V	Base Vdd = 5[V] Flange-mount type can operate at Vdd = 12[V].
Measurable Pressure Range	-90	980	kPa	

#### 2. Electrical Characteristics (Vdd = 5[V], -10~60°C, -29.4~68.6kPa)

Item	HPM-100GD-B01	HPM-100GA-B01	HPM-100GA-D01
	Output Form: Frequency		Output Form: DC
Current Consumption	Typ. 0.7 mA, Max. 1.0 mA		
Output Function	26-[a × [P [kPa] + 29.4]]	0.5+[a × [P [kPa] + 29.4]]	
	-Output at 29.4kPa = 26kHz Output at 68.6kPa = 6kHz a = 20/98 [kHz/kPa]	-Output at 29.4kPa = 0.5V Output at 68.6kPa = 4.5V a = 4/98 [V/kPa]	
Output Accuracy	±2% FS		

\*Pressure range other than above can be available.

### ■ Model Designation

HPM - \*\*G\* - \*\*  
①      ②      ③      ④

- ① : Model No.
- ② : Full span pressure
- ③ : Output type (A : Analog, D : Digital)
- ④ : Shape, Custom spec No.  
(B: Discrete type, D: Flange-mount type)