

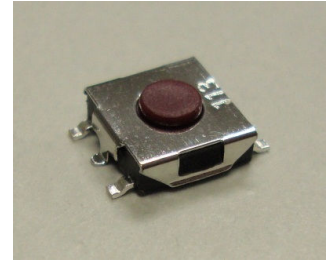


Tactile Switches

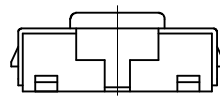
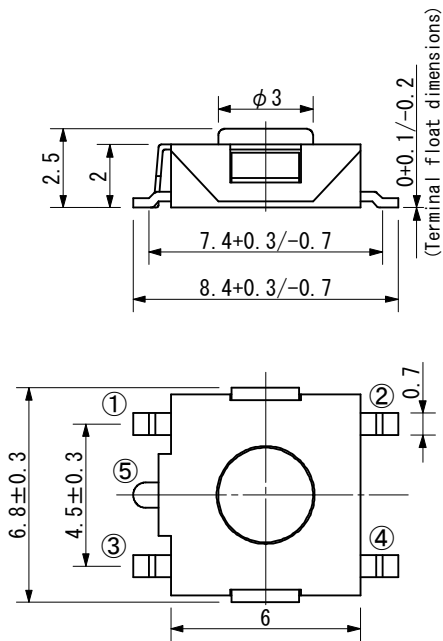
6mm × 6mm Top Push Surface Mounting Type

■ Features

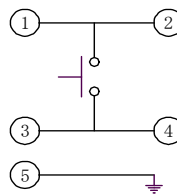
- Crisp click feel by tactile feedback
- With a ground terminal
- Reflow solderable
- Packaging : Emboss taping
- RoHS Directives - compliant product



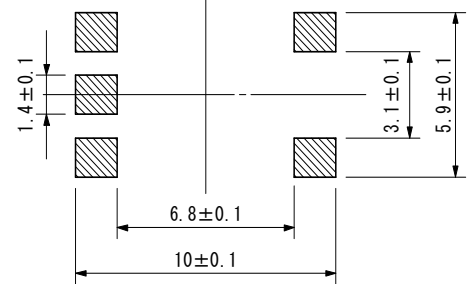
■ Dimensions (Unit: mm)



Circuit Diagram



Recommended Land Layout



■ Specification

Item	Specification	Unit
Operating Temperature Range	-25 ~ +70	°C
Storage Temperature Range	-40 ~ +85	°C
Type of Operation	Tactile Feedback	
Contact Configuration	Push-On Momentary, 1 Pole-1 Throw	
Power Rating	MAX 50mA 5VDC	
Contact Resistance	MAX 100	mΩ
Insulation Resistance	100MΩ Min. at 100VDC	
Dielectric Withstand Voltage	250 VAC for 1 Minute	
Contact Bounce	MAX 10	ms
Operating Force	10.98 ± 0.49	N
	1.57 ± 0.49	
	2.55 ± 0.69	
Return Force	MIN 0.4	N
Travel	0.25 + 0.2 / -0.1	mm
Operation Life	100,000	cycles

■ Model Designation

