



Tactile Switches

7.2mm × 7.2mm Waterproof Surface Mounting Type

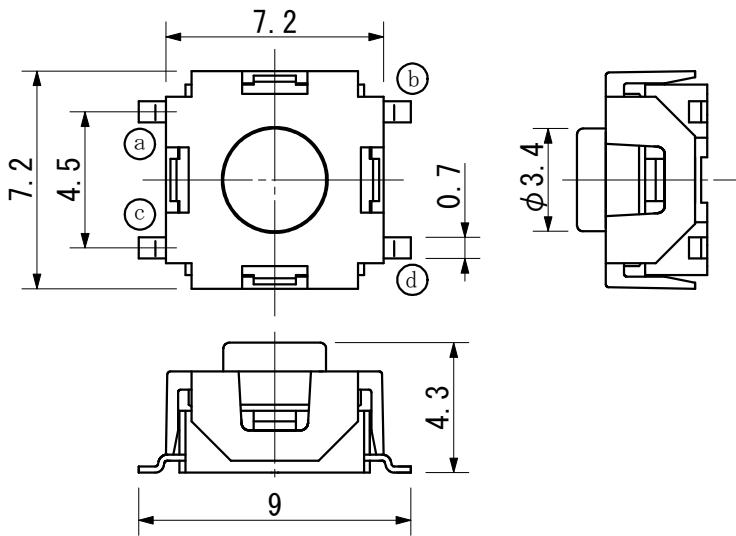
■Features

- Dustproof, waterproof structure
- Switch height is 4.3 mm, low profile.
- Packaging : Emboss taping

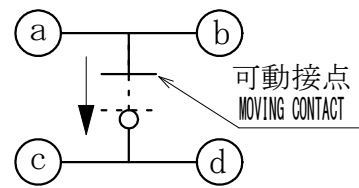
■Application

- Switch for control units of dish washer or laundry machine

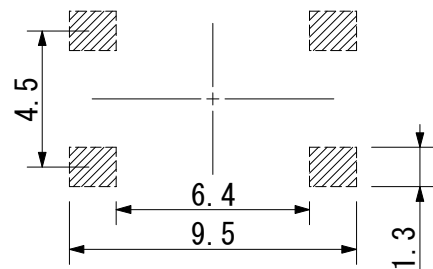
■Dimensions (Unit : mm)



回路図 CIRCUIT DIAGRAM



推奨ランドパターン
PATTERN APPLICATION EXAMPLE



■Specification

Item	Spec.	Unit	Remarks
Operating Temperature Range	-25~+85	°C	
Storage Temperature Range	-40~+85	°C	
Type of Operation	Tactile Feedback		
Contact Configuration	Push-On Momentary, 1 Pole-1 Throw		
Power Rating	Max. 50mA 12VDC		
Contact Resistance	Max. 100	mΩ	
Insulation Resistance	100MΩ Min. at 100VDC		
Dielectric Withstand Voltage	250VAC for 1 Minute		
Contact Bounce	Max. 10	ms	
Operation Life	100 000	cycles	
Operating Force	1.08±0.49	N	
Return Force	Min. 0.1	N	
Travel	0.25+0.2/-0.1	mm	
Water resistance	Immersed 240 hours at 60±2°C(10cm) underwater		

■Model Designation

