



# Chip Type Cermet Trimmer Potentiometer

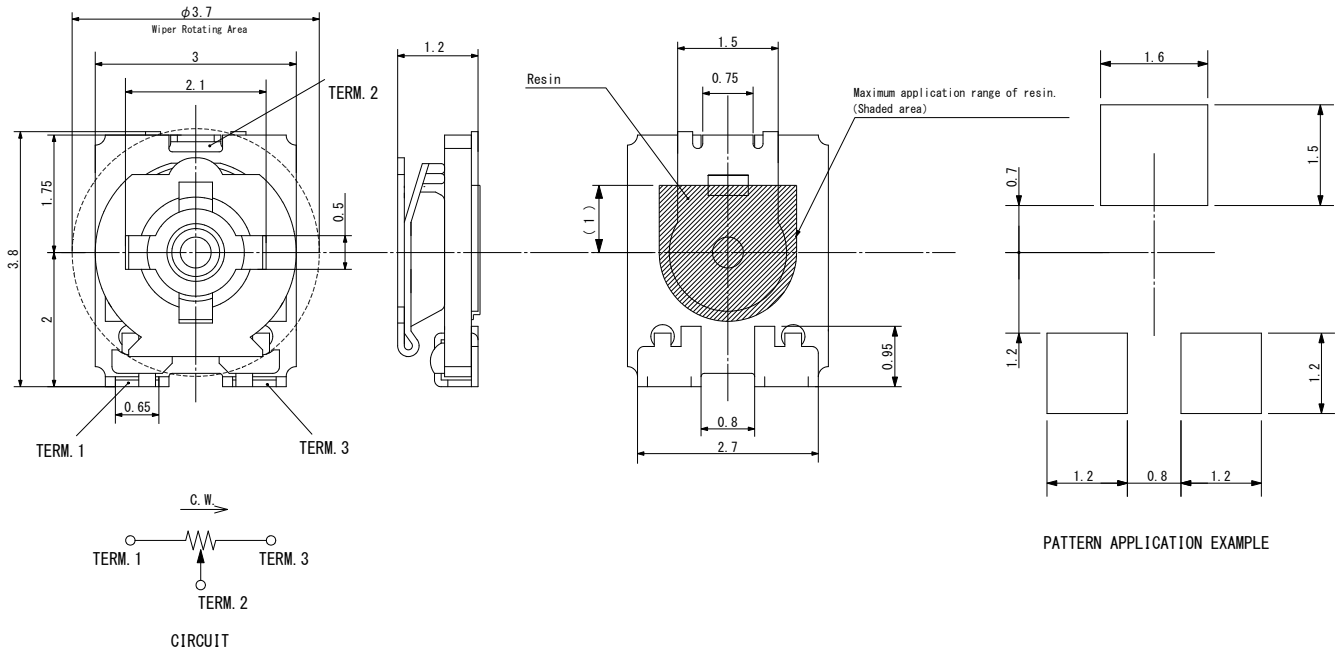
3mm size, Low profile type

## ■ Features

- Low profile type ( 1.2mm in height )
- Achieved good endurance characteristics by using "Metal-glaze" for the material of resistor
- Conforms to RoHS Directives (Lead-Free Products)
- Reflow solderable



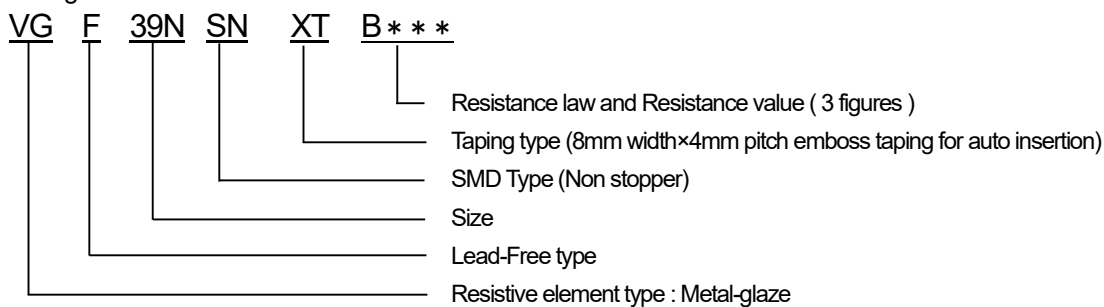
## ■ Outline Dimensions (Unit : mm)



## ■ Specification

Item	Specification	Unit	Note
Nominal Total Resistance	100~1M	Ω	
Resistance Tolerance	±25	%	
Rotational Torque	0.98~11.76	mN.m	
Effectively Rotary Angle	270 ± 20	°	Non stopper
Rated Wattage	0.15	W	
Max. Rated Voltage	50 or $V = \sqrt{PR}$ whichever is smaller	V	
T.C.R (Temperature Coefficient)	±250	ppm/°C	
Operating Temp. Range	-40 ~ +100	°C	

## ■ Part Designation



\* Packaging Quantity : 2500 pcs / Reel



# Chip Type Cermet Trimmer Potentiometer

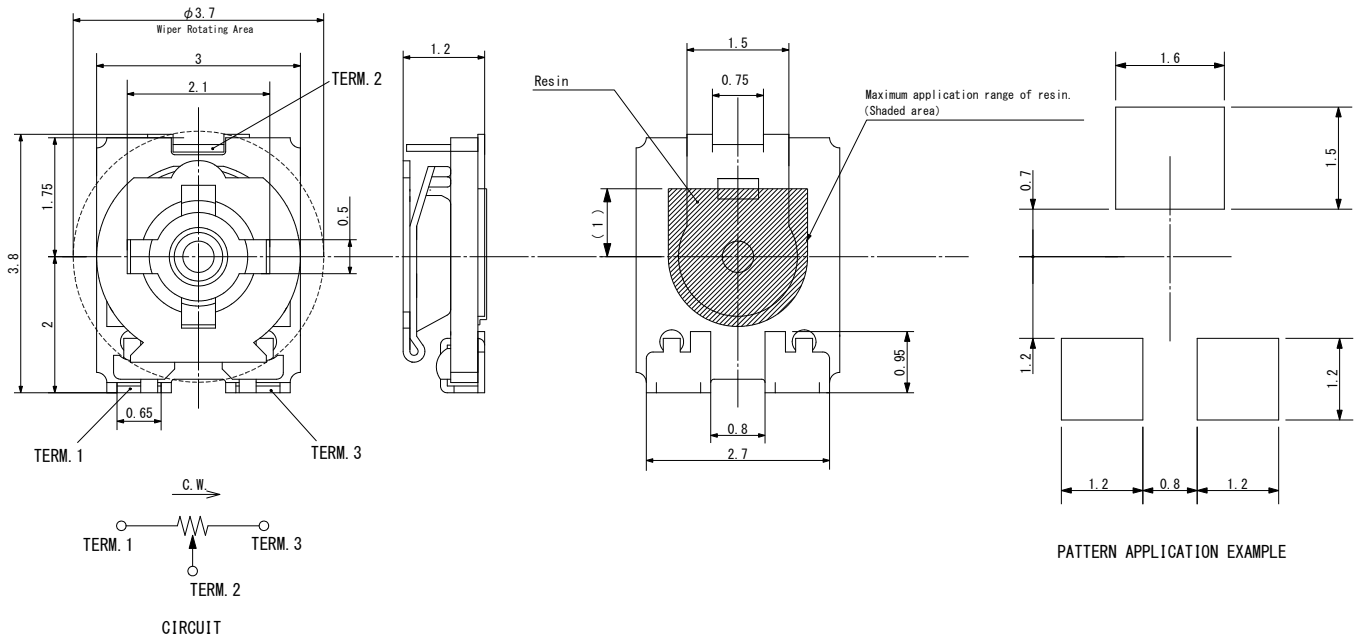
3mm size, Low profile type

## ■ Features

- Low profile type ( 1.2mm in height )
- With rotation stopper
- Achieved good endurance characteristics by using “Metal-glaze” for the material of resistor
- Conforms to RoHS Directives (Lead-Free Products)
- Reflow solderable



## ■ Outline Dimensions (Unit : mm)

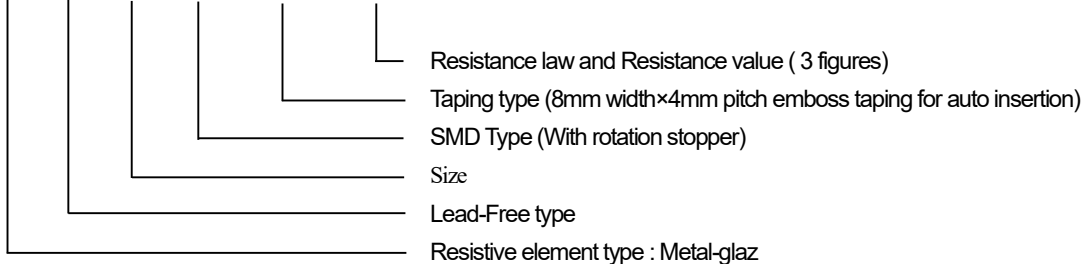


## ■ Specification

Item	Specification	Unit	Note
Nominal Total Resistance	100~1M	Ω	
Resistance Tolerance	±25	%	
Rotational Torque	0.98~11.76	mN.m	
Effectively Rotary Angle	270 ± 20	°	With rotation stopper
Rated Wattage	0.15 (at 70°C)	W	
Max. Rated Voltage	50 or $V = \sqrt{PR}$ whichever is smaller	V	
T.C.R (Temperature Coefficient)	±250	ppm/°C	
Operating Temp. Range	-40 ~ +100	°C	

## ■ Part Designation

VG F 39N CH XT B\*\*\*



\*Packaging Quantity : 2500 pcs / Ree